
Comfort-Cire®

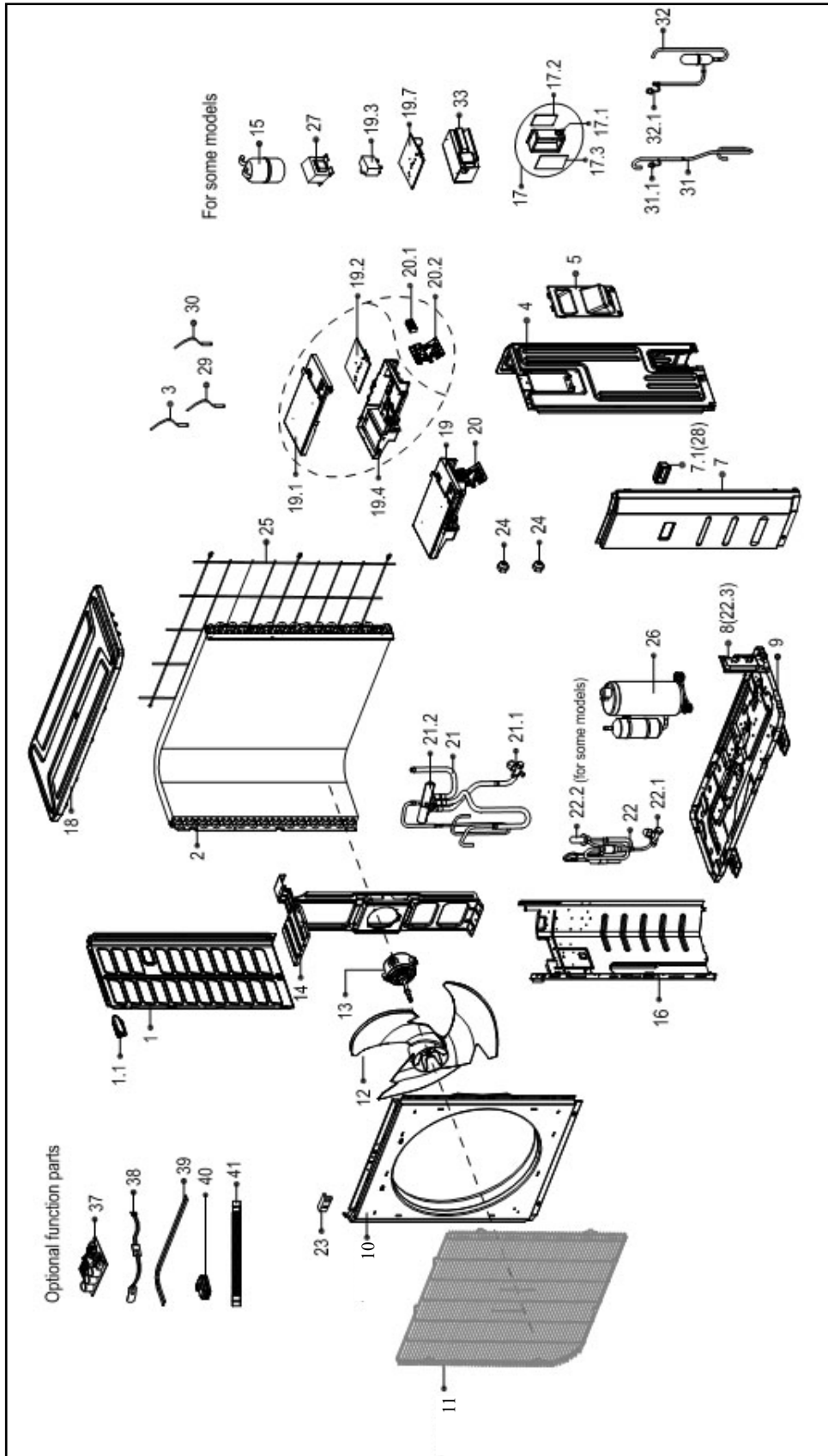
Century®

REPLACEMENT PARTS LIST

**Inverter Single Zone
Outdoor Ductless Mini-Split**

A-VMH30SD-1

EXPLODED VIEW



REPLACEMENT PARTS

Location	Part Name	Quantity	Part No.
1	Left side plate assembly of cabinet	1	12222000006665
1.1	Small handle	1	12100701000033
2	Condenser assembly	1	15822000003716
3	Pipe temperature sensor assembly	1	11201007000006
4	Rear right clapboard assembly	1	12222000006664
5	Big handle	1	12222000004019
7	Front right clapboard assembly	1	12222500000633
7.1	Handle	1	12100702000038
9	Chassis assembly	1	12222000004018
10	Front panel	1	12222000004983
11	Air outlet grille	1	12222200000907
12	Axial flow fan	1	12100105000084
13	Fan motor	1	11002015000247
14	Supporter assembly of fan motor	1	12222000005162
16	Partition board assembly	1	12222200001158
18	Top cover assembly	1	12222500000587
19	Electronic control box assembly	1	17222000A16189
19.1	Cover of electronic control box	1	12122200002719
19.2	Outdoor main control board assembly	1	17122000A13467
19.4	Electronic installing box	1	12122200002715
19.7	Inverter control board assembly	1	17122000015997
20	Terminal board assembly	1	17222000014908
20.1	Wire joint	1	17400401000037
20.2	Terminal board	1	12222200001476
21	4-way valve assembly (rev. valve ass.)	1	15422000004892
21.1	Gas valve	1	15500204000025
21.2	4-way valve (reversing valve)	1	15500216000361
21.4	Suction assembly	1	15122000010254
21.5	Discharge assembly	1	15122000010256
22	liquid valve assembly	1	15422000003309
22.1	Liquid valve	1	15500204000021
22.2	Electronic expansion valve	1	15500213000265
22.3	Valve plate	1	12222200002110
23	Clamp of front net	8	12122000006844
24	Copper nut	1	15500406000003
24	Copper nut	1	15500406000010
25	Rear net	1	12222000006604
26	Compressor	1	11103020000319
29	Discharge temperature sensor assembly	1	11201007000157
30	Ambient temperature sensor assembly	1	11201007000039
38	Crankcase electric heater	1	17402001000119
39	Electric heater of chassis	1	17402002000043
41	Drain pipe	1	12100509000059
-	Line set connector cover	1	12122200002695

Due to ongoing product improvements, specifications and dimensions are subject to change and correction without notice or incurring obligations. Determining the application and suitability for use of any product is the responsibility of the installer. Additionally, the installer is responsible for verifying dimensional data on the actual product prior to beginning any installation preparations.

Incentive and rebate programs have precise requirements as to product performance and certification. All products meet applicable regulations in effect on date of manufacture; however, certifications are not necessarily granted for the life of a product. Therefore, it is the responsibility of the applicant to determine whether a specific model qualifies for these incentive/rebate programs.

Comfort-Aire® **Century**®

1900 Wellworth Ave., Jackson, MI 49203 • Ph. 517-787-2100 • www.marsdelivers.com

